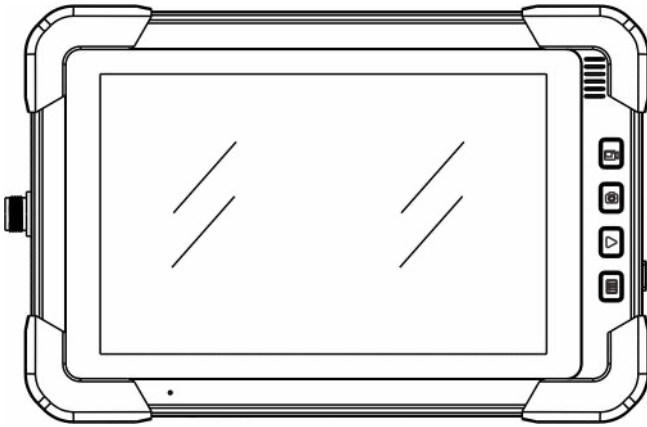


# 7" Recording Monitor DVR

## Operation Manual



# Menu

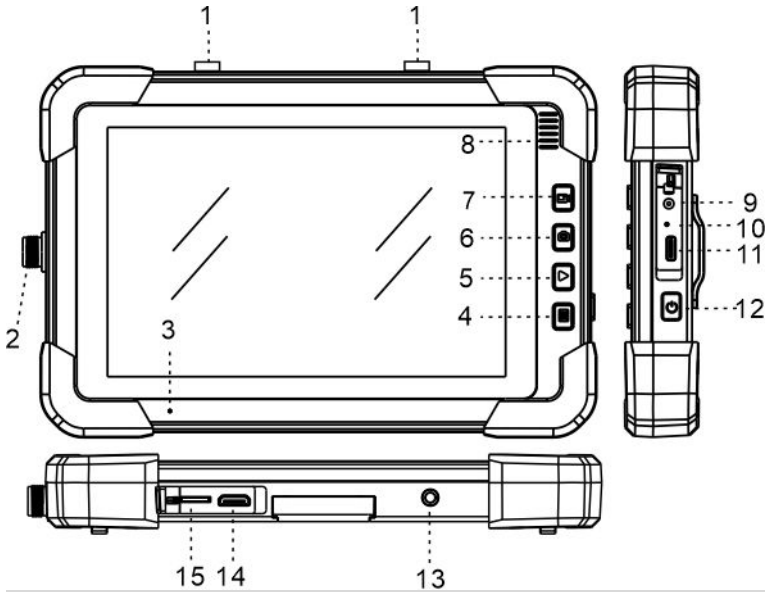
Product Overview .....	4
Product Recognition.....	5,6
Button Operation.....	7
Screen Touch.....	8-10
System Setting.....	11,12
Inspection SYS App 4G .....	13
Inspection SYS App WIFI .....	14
APP Monitoring Interface.....	15-16
Charge/ Firmware upgrade/Attention.....	17
Data Port Pin Definition.....	18
Specifications.....	19,20
Inspection SYS App Download.....	20

## **Product Overview**

The 4K HD Touch Tablet Monitor, capable of taking high-resolution images at up to 32MP and recording 4K video, Expertly designed for synchronization, it supports both AHD or TVI and CVBS video inputs, ensuring audio and video alignment for a seamless experience.

The user can operate it through screen touch or body buttons. This monitor adopts a 7-inch HD touch screen and a waterproof & dust-proof design. 4 protective corners can properly protect machine. Adjustable wrist belt design is easy to hold. In addition, the battery can be disassembled to support separate charging. It can work with a wide range of remote cameras with customization functions (like 360°PTZ, GPS coordinates, measure).It is convenient to use in different fields.

## Product Recognition



1, 4G Antenna

2, M12 aviation

Connector

3, Microphone

4, Menu/Confirm

5, Play/Return

6, Photo/ Back

7, Record/Forward

8, Speaker

9, DC12V

10, LED Control

11, Type-C

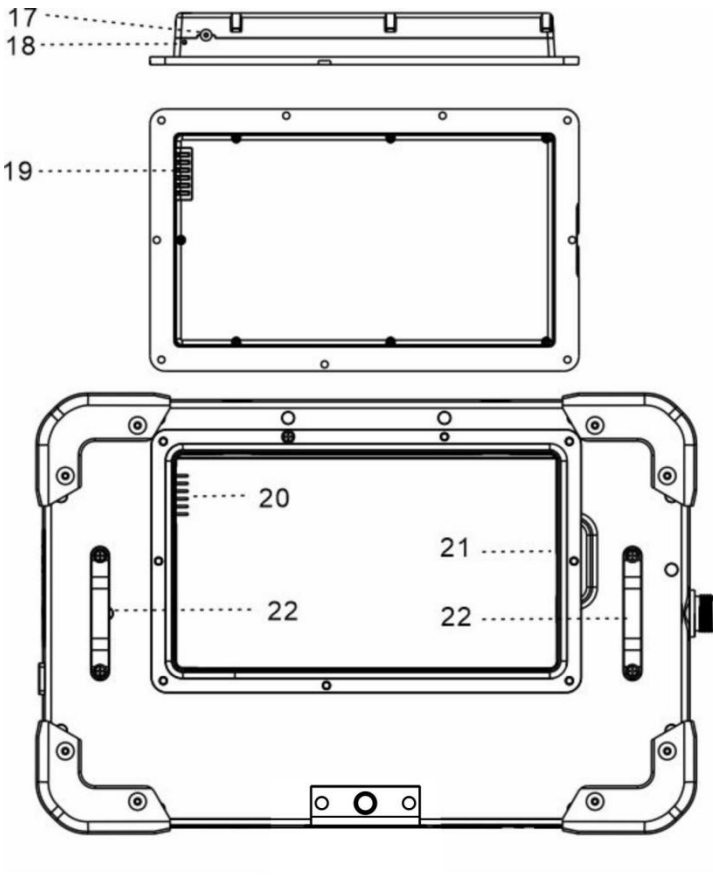
12, ON-OFF

13, Headset

14, HDMI Output

15, Micro SD Card

## Product Recognition



17, Battery charge port

19, Battery connector

21, 4G Card Slot

18, Charging indicator

20, Battery connector

22, [Rope buckle](#)

## Button Operation

-  **ON-OFF**

Press briefly to power on. Press it for 3s to power off. If crash, press it for 10s to power off and reset.

-  **Photo /Back**

Press it, flashes once and get a photo. When enter menu interface, press once to backward.

-  **Record/Forward**

Press it to record, and the icon turns blue. The video timer starts. Press again to end it. When enter menu interface, press once to forward.

-  **Playback/Return**



Press it to enter review photos and videos.

Press Up-Down-Left-Right to select.

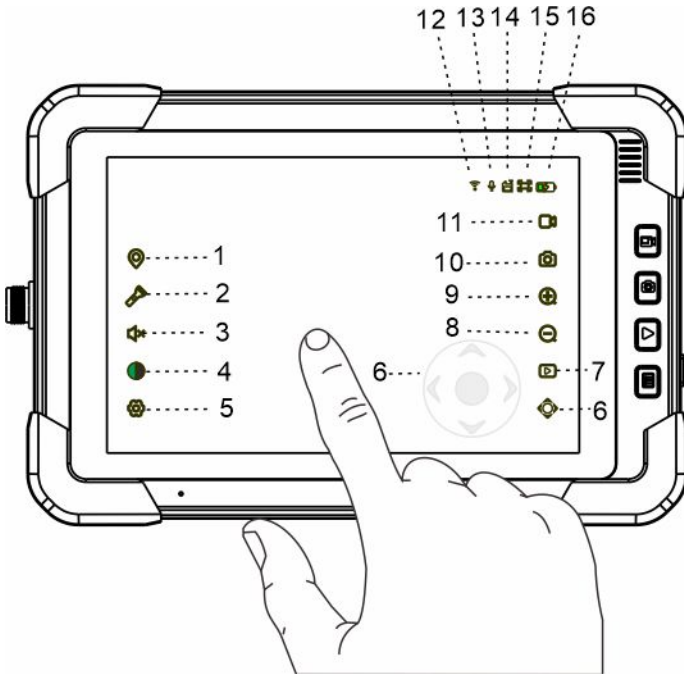
Press  to confirm. Press  Play again to exit

When record, press  to pause and stop timing; press  again to restore.


-  **Menu/Confirm**

Press it to enter menu. Press Up-Down-Left-Right to select. Press  to confirm. Press  Play to exit.


# Touch Screen



## 1, Mark

 : Pop up keyboard to input mark, which will display in the lower left corner. Touch it to revise or delete.

## 2, LED Brightness Control

 : Move the slider to control cam' s LED brightness.



## Touch Screen

### 3, Speaker Volume Control

: Move the slider to control the speaker volume.

### 4, Display Parameter Adjustment.

: Move the sliding block to adjust the parameter.



: Brightness



: Contrast



: Colourity



: Saturation

### 5, System Setup




: Touch this to enter into system setup.

### 6, PAN/TILT Control




: Entering and exiting pan tilt control

Pop up the pan tilt control interface , Touch the up, down, left, and right icons to control the pan tilt camera to rotate up, down, left, and right. The camera stops rotating when stop touching.

### 7, Play




: Play photo & video. Touch  to lock the important ones in case error deletion. Touch again to unlock it.

### 8, Zoom out




: Touch this to zoom out the screen.

### 9, Zoom in


: Touch this to zoom in the screen.

## Touch Screen


### 10, Photo

: Touch to take photo and screen flashes once.


### 11, Reco

 Touch it, the icon turns blue, and the video timer starts; touch it again to end.

### 12, WiFi

 : WiFi is on; if crossed, WiFi is off.

### 13, Mic


 : Mic. is on. If crossed, Mic. is off.

### 14, Micro SD card


: Card is ok. If crossed, abnormal or no card.

### 15, Icon Switching of Image Display Scale

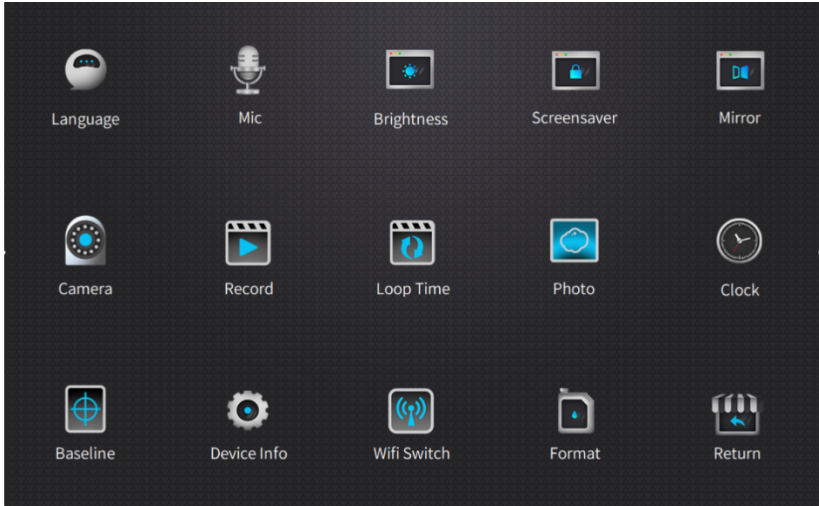
Press : Image displays 4: 3

Press : Image displays 16: 9

### 16, Battery power

: Display battery power: the lighting shows it' s charging.

# System Setup



**Language** Show the available languages: Chinese, Traditional Chinese, English, French, German, Russian, Korean, Japanese.

**Mic.** Touch to turn the microphone on/off.

**Brightness** Touch to set the screen brightness.

**Screensaver** Touch to set the time of screen Saver

**Mirror** Touch to set: normal display; flip horizontal; flip vertical; flip horizontal & vertical.

**Camera** Touch to set camera input resolution. According to the resolution & frame rate of the known AHD camera, you can choose: Auto 2K, 1080P, 720P, CVBS. Monitor will reset after switching the resolution.

**Record** Touch to set resolution of recording.

## System Setup

**Loop Time** Touch to set the time of recycle recording: 1s, 2s, 3s, 5s, 10s, off. If choose 'off', recording will end until the micro SD card is full.

**Photo** Touch to set the size of photo: 32 mega pixels, 12 mega pixels, 8 mega pixels, 4 mega pixels.

**Clock** Touch to set the system date & time.

**Baseline** Touch to set the types of baseline: off; cross; ruler; roundel.

**Device Info.** *About, Reset and Password Switch*  
*About:* Includes Wifi name and password, memory size of micro SD card, firmware version.  
*Reset:* It can delete all the settings and restore to factory state and restart.  
*Password Switch.* Switch off, it directly enters working state upon startup; switch on, it needs to enter a password to start working. The default startup password is 8888.

**WiFi Switch** Touch to switch Wifi on or off.

**Format** Touch and check format micro SD card. Format will delete all the data in micro SD card. Be sure to do a good job of data backup.

**Return** Touch it to return and exit system setting.

## Inspection SYS APP 4G



Note: Be sure to insert the 4G SIM card before running the Inspection SYS App

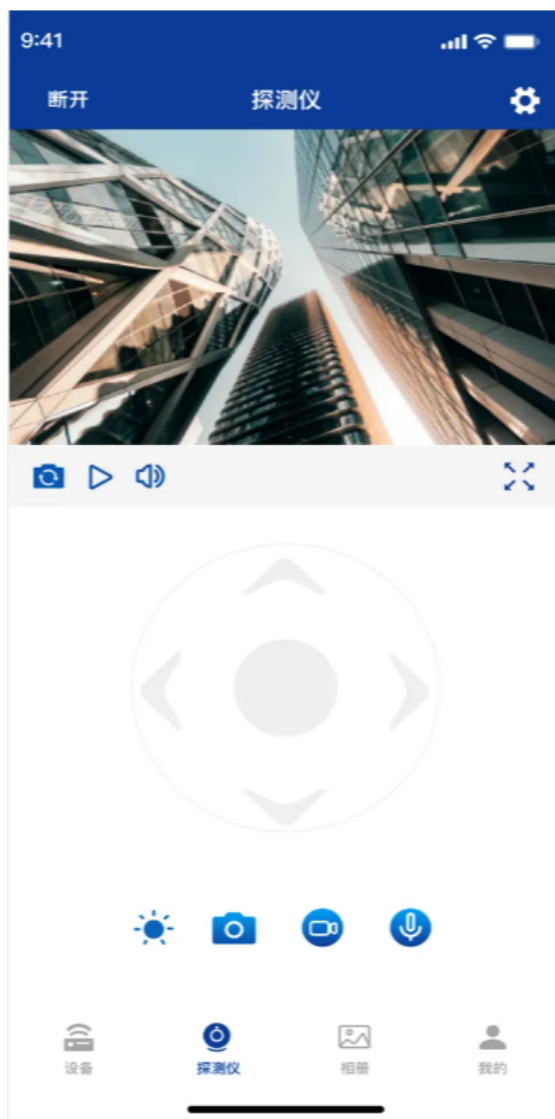
# Inspection SYS APP WIFI



Before run Inspection SYS App turn on the Wifi of the monitor first. Find the SSID name and password in

“About” . Then add the WiFi network of the monitor to the WiFi configuration of the external device.

## **APP Monitoring Interface**



## APP Monitoring Interface





- Run Inspection SYS App, touch device to connect. After successful connection, it automatically jump to camera interface. You can take photo, recording, play and share. Pan tilt control, light brightness control, intercom, photography, recording, playback, and sharing.
- You also can change the WiFi name and password in Inspection SYS Setting.
- Save the photo and recording files to monitor.
- Enter into *Video*, play and load video locally.
- Enter into *Photo*, play and load photo locally.

## **Charge**

Push away the waterproof protective cover. Connect DC12V adapter with DC port, or connect Type-c port with USB-C adapter (user himself provided). During Charging, the indicator is on. When fully charged, the light turns off. It takes about 4 hours to fully charge.

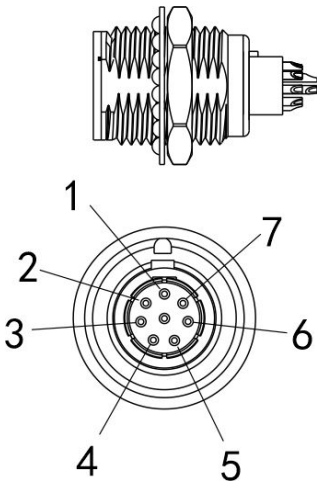
## **Firmware Upgrade**

Before upgrade, please ensure power is >20% (1 grid). Copy upgrade file (Sigmastar Upgrade SD) to micro SD card. Power on, it will auto upgrade. It will auto turn off after upgrade. Unplug card to finish upgrade.

## **Attention**

1. Please use device under temperature between – 20 °C and 60°C. Excessive temperature will cause abnormal expansion, ignition and even explosion of the battery. Before using it under low temperature, it is recommended to fully charge under normal temperature to extend the life of battery.
2. Please place device in a proper position to prevent it from falling and breaking the screen.
3. This machine is dust-proof and rainproof. Please do not immerse the machine in water.
4. If you continue to use the micro SD card on this device after upgrade, please delete the upgrade files.
5. The default startup password is 8888.

## Data Port Pin Definition



- 1, Video**
- 2, LED control**
- 3, Audio**
- 4, Speaker+**
- 5, Speaker-**
- 6, 12V**
- 7, GND**

## Specification

<b>Display</b>	7.0 inch
<b>Screen Resolution</b>	1280*800 pix
<b>Touch screen</b>	capacitive touch screen
<b>Video recording</b>	4K(16:9): 3840x2160
	2K(4:3): 2560x1944
	2K(16:9): 2560x1440
	1080p(16:9): 1920X1080
<b>Video input</b>	2K 25fps/30fps, 1080P 25fps/30fps, 720P 25fps/30fps, CVBS PAL, CVBS NTSC
<b>Video format</b>	MP4
<b>Photo</b>	32MP、 12MP、 8MP、 4MP、 2MP
<b>Video Output (16: 9)</b>	HDMI 1080P
<b>Compression mode</b>	H. 264 video compression
<b>Audio input/output</b>	1.0Vp-p (20Hz-20KHz)
<b>Speaker Output</b>	1W
<b>Camera LED Control</b>	PWN
<b>File System Support</b>	FAT32
<b>Memory card</b>	TF card 2GB-256GB
<b>Language</b>	Chinese, English, German, French, Korean, Russian, Japanese, etc.

## Specification

<b>WiFi Protocol</b>	802.11 a/b
<b>WiFi Channel</b>	2.4000-2.4835Ghz
<b>WiFi power</b>	<16dBm
<b>Power Supply</b>	DC 12V/2.5A
<b>Lithium battery capacity</b>	37.0Wh)
<b>Maximum charging power</b>	15W
<b>working hours</b>	6-8 Hours
<b>Operating temperature</b>	-20°C to 50°C
<b>Waterproof grade</b>	IP65
<b>Size</b>	L*W*H 211*141*28mm
<b>Weight</b>	0.8kg

## Inspection SYS APP Download



Attention: This code is not working now