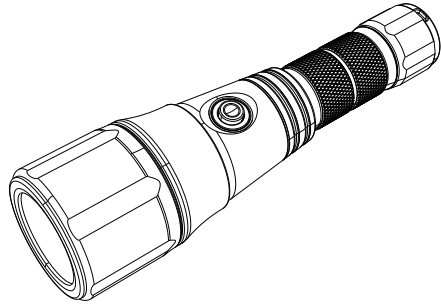


Varilux

ZOOM

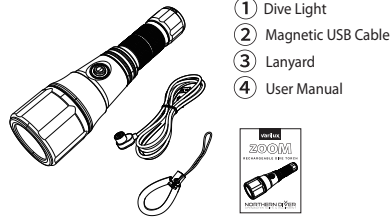
RECHARGEABLE DIVE TORCH



NORTHERN DIVER
OPENWATER SUITS & EQUIPMENT

Thank you for your purchase.
Please read this manual carefully before using. It includes important product function and operational instructions.

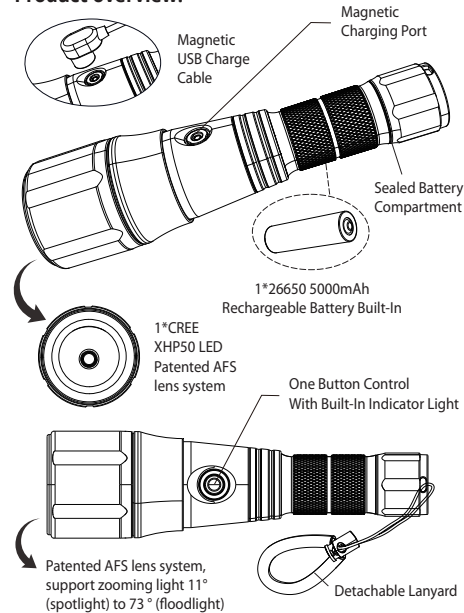
What's Included?



ATTENTION Read before using your diving torch.

Inspect regularly, check torch for damage or wear before each use. Do not use if damaged.
Use fully charged batteries and use the torch only as intended. Avoid eye exposure, never point beam directly at eyes. Prevent fire hazards, do not direct the light beam at dry, flammable materials for extended periods.
Avoid extreme heat, do not place torch near extreme heat. Rinse with fresh water after use in saltwater and dry thoroughly. Store in a cool, dry place. Ensure the torch is dry before storing. Handle with care, avoid dropping or impacting the torch.

Product overview.



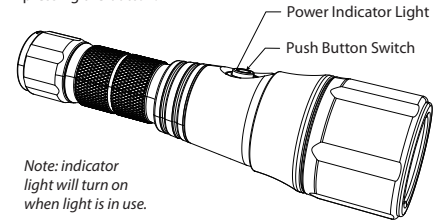
Specification

| | |
|----------------------|-------------------------------------|
| LED | 1*CREE XHP50 LED |
| LED Life Span | 100,000hrs |
| Output | 3400 - 2200 lumens |
| Modes | High/Mid - Zoomable |
| Burn Time | 3.5hrs - 5.5hrs |
| Beam Distance | 390m (1280') |
| Beam Intensity | 38000cd |
| Beam Angle | 11° (spotlight) to 73° (floodlight) |
| Colour Temperature | 5700~7300k |
| Switch Design | one button control |
| Impact Resistance | 1m (3.3') |
| Depth Rating | 100m (328') |
| Waterproof Rated | IPX8 |
| Build | #6063 aluminium |
| Battery | 1*26650 5000mAh (sealed unit) |
| Charge Time | 3hrs |
| Torch Dimensions | 190*53.4*53.4mm (7.5*2.1*2.1") |
| Weight (inc battery) | 0.5kg (1.10lbs) |
| Application | Surface & diving use |

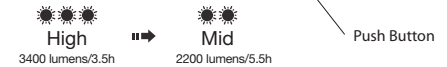
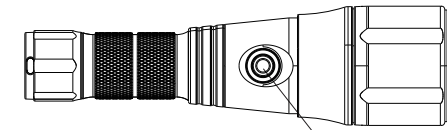
Be aware, we are not responsible for any untoward incident due to the mishandling of this product.

Operation.

ONE BUTTON CONTROL
Easily turn the torch on/off and cycle through the modes by pressing the button.



Note: indicator light will turn on when light is in use.



Head Office
Northern Diver International Ltd
Appley Lane North
Appley Bridge
Wigan
Lancashire
WN6 9AE

Contacting Us
Email: info@ndiver.com
Telephone: +44 (0) 1257 25 44 44

Connect Online
Website: www.ndiver.com
@NorthernDiverUK

How did we do?



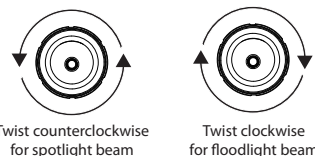
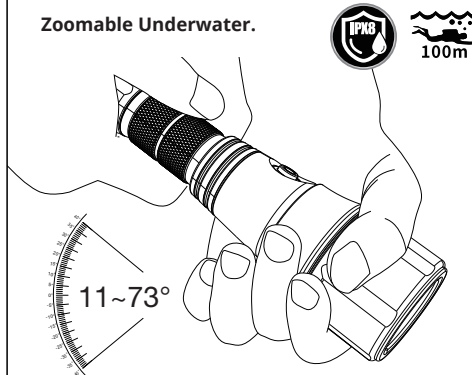
Your feedback is important to us, please leave us a review!

<https://uk.trustpilot.com/review/www.ndiver.com>

HAVE YOU SIGNED UP TO OUR NEWSLETTER FOR THE LATEST NEWS, OFFERS AND NEW PRODUCTS?

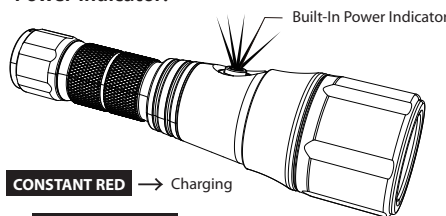


Zoomable Underwater.



This unique design makes it ideal for underwater exploration and photography. The adjustable beam provides perfect lighting, while its compact, easy-to-use design ensures convenience on every dive.

Power Indicator.



CONSTANT RED → Charging

CONSTANT GREEN → Fully Charged
Green light: 100%-80%
Red light: 80%-15%
Blinking red: 15%-0%

How To Charge

Connect the torch to the magnetic charging cable provided.

Charge time: 3hrs
Unplug torch when fully charged.

Keep the magnetic charge pin greased to prevent sticking and charging issues on the USB charging cable.



Safety Precautions

- Rinse in fresh water after each dive.
- Clean with a soft cloth.
- Avoid cleaning agents that may cause damage.
- Do not dry in direct sunlight.
- Ensure the torch is completely dry before storage.
- Store only when dry to prevent corrosion.
- Clean the lens and magnetic charging port with a cotton swab to remove grit, sand, and grease.
- Use only the supplied charge cable to recharge.
- Do not attempt to open or replace the built-in battery—this will damage and void the warranty.
- Do not modify or repair the torch yourself.
- All repairs must be done by a qualified technician.
- Do not shine the light directly into eyes—may cause temporary or permanent blindness.
- Do not cover or place the light head face down when on; heat may cause damage or burning.
- Avoid leaving the torch in bags or containers under high temperatures.
- Do not overcharge the batteries.



Warranty

This product is covered by a 12-month warranty that applies exclusively to manufacturing defects. The warranty does not cover damage resulting from misuse, neglect, improper maintenance, or normal wear and tear.

Please note that the warranty will become void if the product has been modified, repaired without prior authorisation, or if the serial number is missing, removed, or altered in any way.

To make a warranty claim, please contact your retailer where the product was purchased, providing the product itself along with a valid proof of purchase. Alternatively, you may contact our customer care team directly for assistance. Once your claim has been assessed and approved, the product will be repaired, replaced, or substituted with an equivalent product or solution at our discretion.

This warranty does not cover any consequential or incidental damages, including loss of use or other indirect costs. The warranty is non-transferable and applies only to the original purchaser.